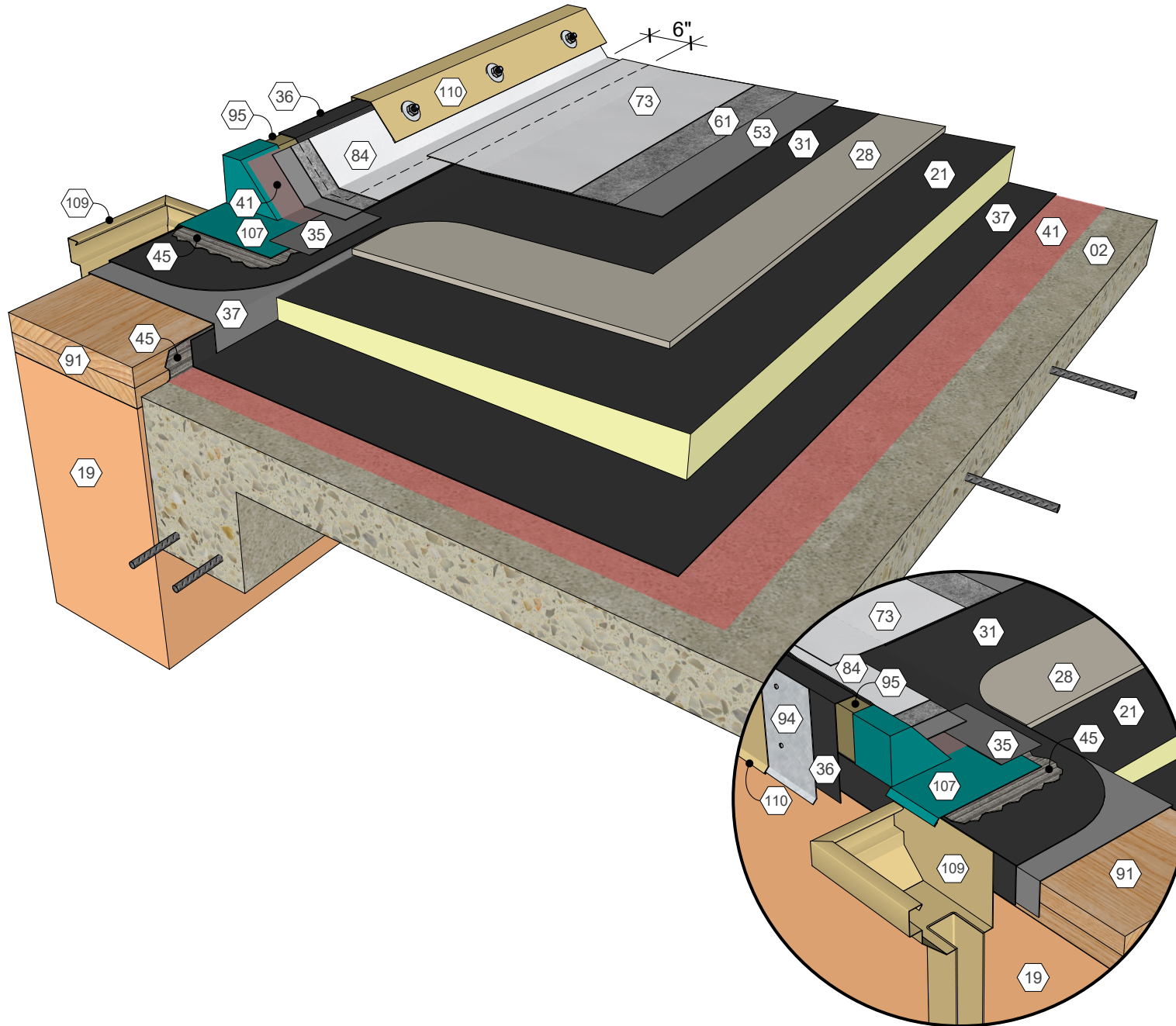


### KEY NOTES

- 01 Metal Deck
- 09 Roof Structure
- 19 Wall Assembly
- 22 Polyisocyanurate Insulation (Fastened or Adhered)
- 27 Substrate Board (Fastened)
- 28 Cover Board (Adhered)
- 31 Approved Base Ply Sheet
- 35 Stripping Ply
- 36 Base Sheet Liner
- 37 Approved Base Sheet (Adhered)
- 41 Approved Primer
- 45 Roofing Mastic
- 53 AlphaGuard PUMA Base Coat
- 61 AlphaGuard Glass Mat or Permafab
- 73 AlphaGuard PUMA Top Coat
- 84 AlphaGuard Flashing
- 91 Wood Blocking
- 94 Continuous Cleat
- 95 Cant Strip
- 107 Sheet Metal Scupper
- 109 Sheet Metal Conductor Head
- 110 Sheet Metal Fascia Cap

AlphaGuard® PUMA Plus Through-Wall Scupper, Temp. Roof, Metal Deck  
Detail 34231

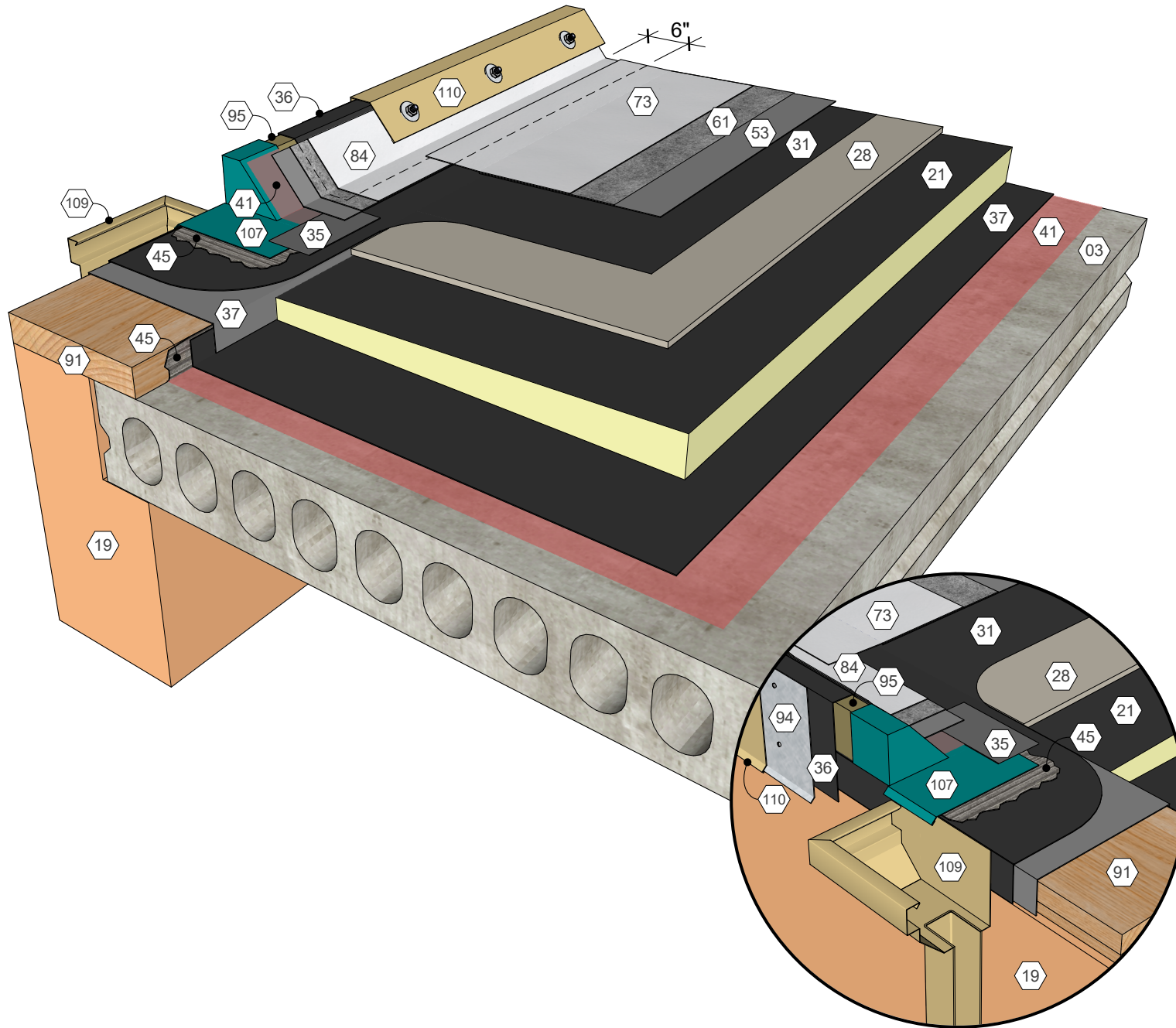


## KEY NOTES

- 02 Structural Concrete Deck
- 09 Roof Structure
- 19 Wall Assembly
- 21 Polyisocyanurate Insulation (Adhered)
- 28 Cover Board (Adhered)
- 31 Approved Base Ply Sheet
- 35 Stripping Ply
- 36 Base Sheet Liner
- 37 Approved Base Sheet (Adhered)
- 41 Approved Primer
- 45 Roofing Mastic
- 53 AlphaGuard PUMA Base Coat
- 61 AlphaGuard Glass Mat or Permafab
- 73 AlphaGuard PUMA Top Coat
- 84 AlphaGuard Flashing
- 91 Wood Blocking
- 94 Continuous Cleat
- 95 Cant Strip
- 107 Sheet Metal Scupper
- 109 Sheet Metal Conductor Head
- 110 Sheet Metal Fascia Cap

AlphaGuard® PUMA Plus Through-Wall Scupper, Temp. Roof, Structural Concrete Deck  
Detail 34232

**TREMCO**  
ROOFING & BUILDING MAINTENANCE

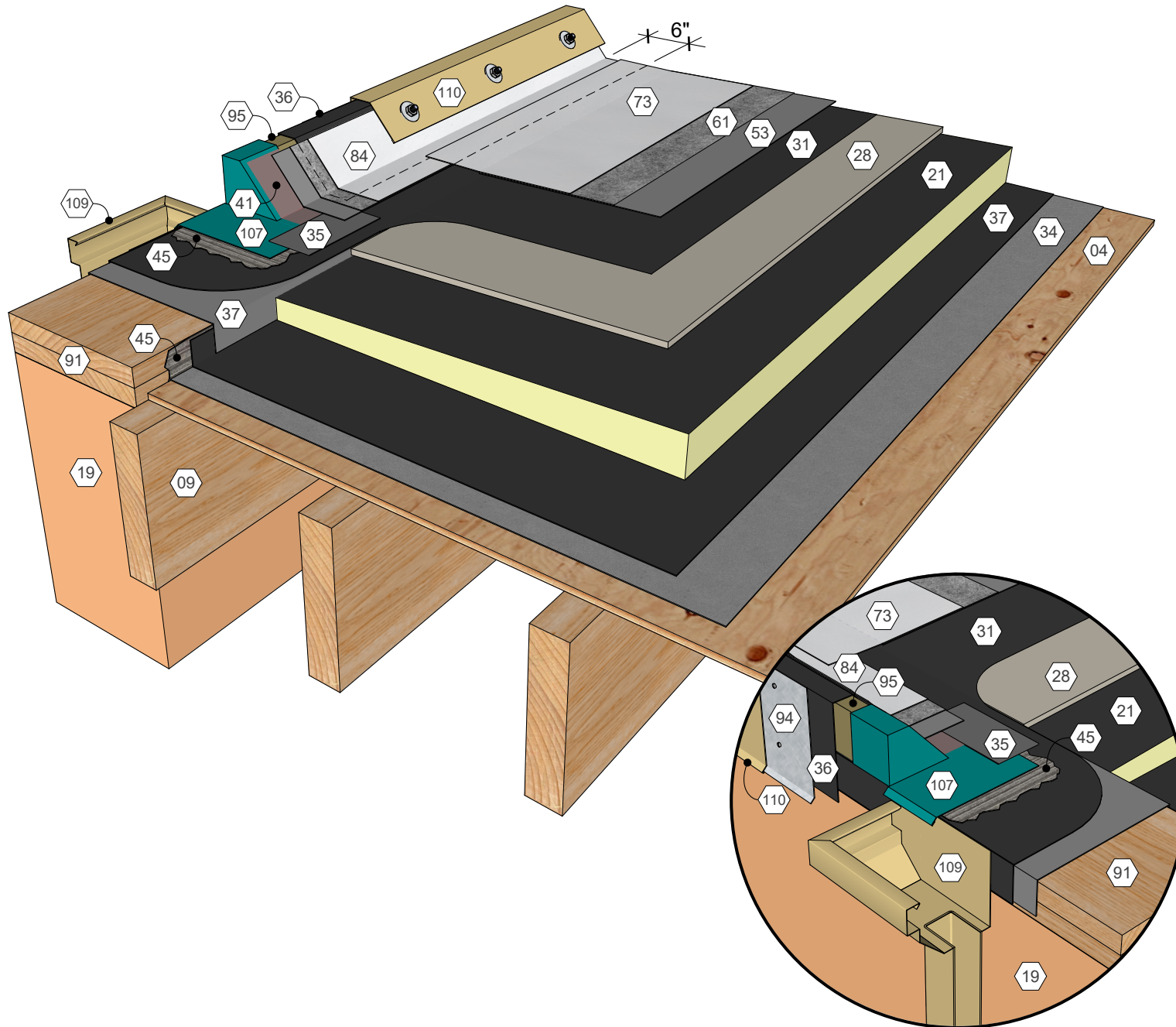


## KEY NOTES

- 03 Precast Concrete Deck
- 09 Roof Structure
- 19 Wall Assembly
- 21 Polyisocyanurate Insulation (Adhered)
- 28 Cover Board (Adhered)
- 31 Approved Base Ply Sheet
- 35 Stripping Ply
- 36 Base Sheet Liner
- 37 Approved Base Sheet (Adhered)
- 41 Approved Primer
- 45 Roofing Mastic
- 53 AlphaGuard PUMA Base Coat
- 61 AlphaGuard Glass Mat or Permafab
- 73 AlphaGuard PUMA Top Coat
- 84 AlphaGuard Flashing
- 91 Wood Blocking
- 94 Continuous Cleat
- 95 Cant Strip
- 107 Sheet Metal Scupper
- 109 Sheet Metal Conductor Head
- 110 Sheet Metal Fascia Cap

AlphaGuard® PUMA Plus Through-Wall Scupper, Temp. Roof, Precast Concrete Deck  
Detail 34233

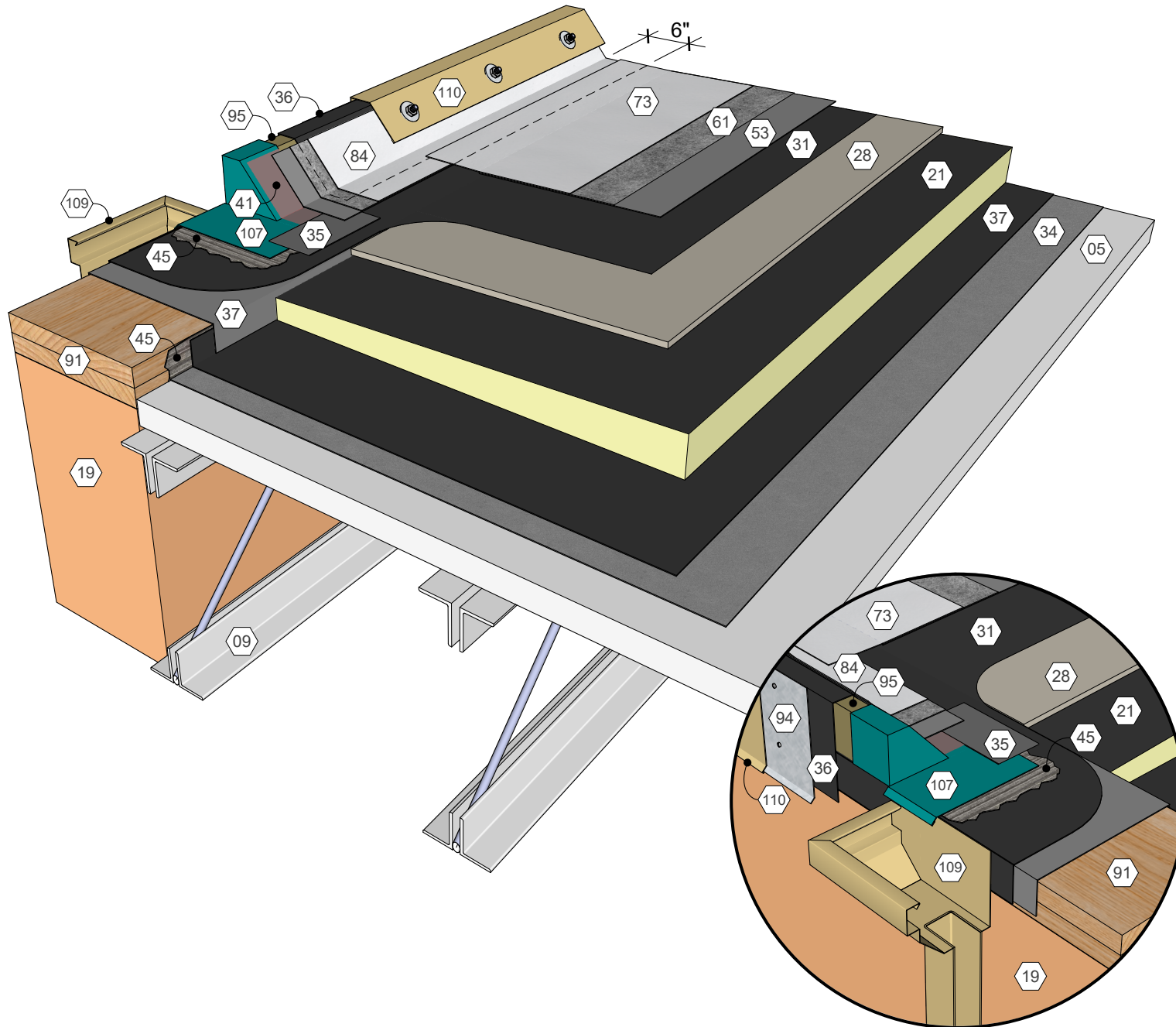
**TREMCO**  
ROOFING & BUILDING MAINTENANCE



### KEY NOTES

- 04 Wood Deck
- 09 Roof Structure
- 19 Wall Assembly
- 21 Polyisocyanurate Insulation (Adhered)
- 28 Cover Board (Adhered)
- 31 Approved Base Ply Sheet
- 34 Base Sheet (Fastened)
- 35 Stripping Ply
- 36 Base Sheet Liner
- 37 Approved Base Sheet (Adhered)
- 41 Approved Primer
- 45 Roofing Mastic
- 53 AlphaGuard PUMA Base Coat
- 61 AlphaGuard Glass Mat or Permafab
- 73 AlphaGuard PUMA Top Coat
- 84 AlphaGuard Flashing
- 91 Wood Blocking
- 94 Continuous Cleat
- 95 Cant Strip
- 107 Sheet Metal Scupper
- 109 Sheet Metal Conductor Head
- 110 Sheet Metal Fascia Cap

AlphaGuard® PUMA Plus Through-Wall Scupper, Temp. Roof, Wood Deck  
 Detail 34234



## KEY NOTES

- 05 Gypsum Deck
- 09 Roof Structure
- 19 Wall Assembly
- 21 Polyisocyanurate Insulation (Adhered)
- 28 Cover Board (Adhered)
- 31 Approved Base Ply Sheet
- 34 Base Sheet (Fastened)
- 35 Stripping Ply
- 36 Base Sheet Liner
- 37 Approved Base Sheet (Adhered)
- 41 Approved Primer
- 45 Roofing Mastic
- 53 AlphaGuard PUMA Base Coat
- 61 AlphaGuard Glass Mat or Permafab
- 73 AlphaGuard PUMA Top Coat
- 84 AlphaGuard Flashing
- 91 Wood Blocking
- 94 Continuous Cleat
- 95 Cant Strip
- 107 Sheet Metal Scupper
- 109 Sheet Metal Conductor Head
- 110 Sheet Metal Fascia Cap

AlphaGuard® PUMA Plus Through-Wall Scupper, Temp. Roof, Gypsum Deck  
Detail 34235

**TREMCO**  
ROOFING & BUILDING MAINTENANCE